



TEXAS EQUIPMENT

4 Post Alignment Hydraulic Lift 14,000 lbs

United States

17779 Main Street Suite C
Irvine, CA 92614 USA
Tel: +1 (949) 333-3800
Fax: +1 (949) 333-3804

United Arab Emirates

P.O. Box 121971
Saif Zone A2-032
Sharjah, UAE
Tel: +971 (06) 552 98 60
Fax: +971 (06) 552 98 61

Egypt

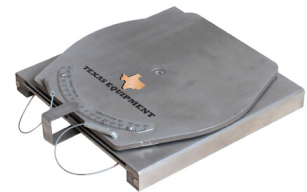
9A, Al-Mothalath
End of Mostafa El-Nahas Street
Nasr City, Cairo 11528 Egypt
Tel: +2019 550 0001
Fax: +2022 472 4346



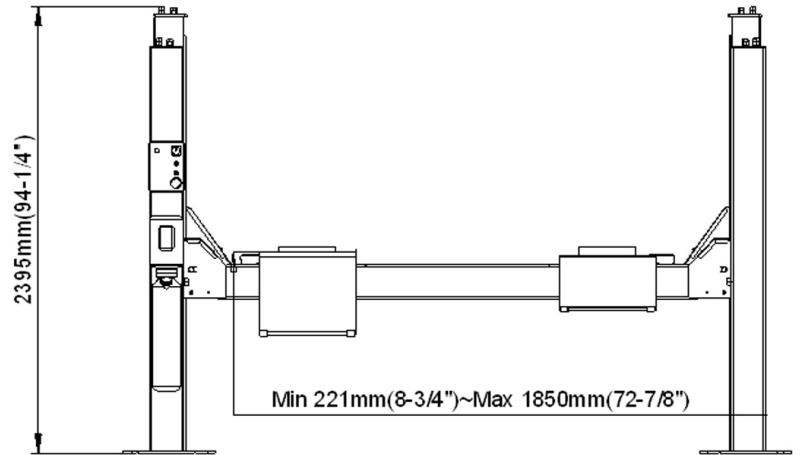
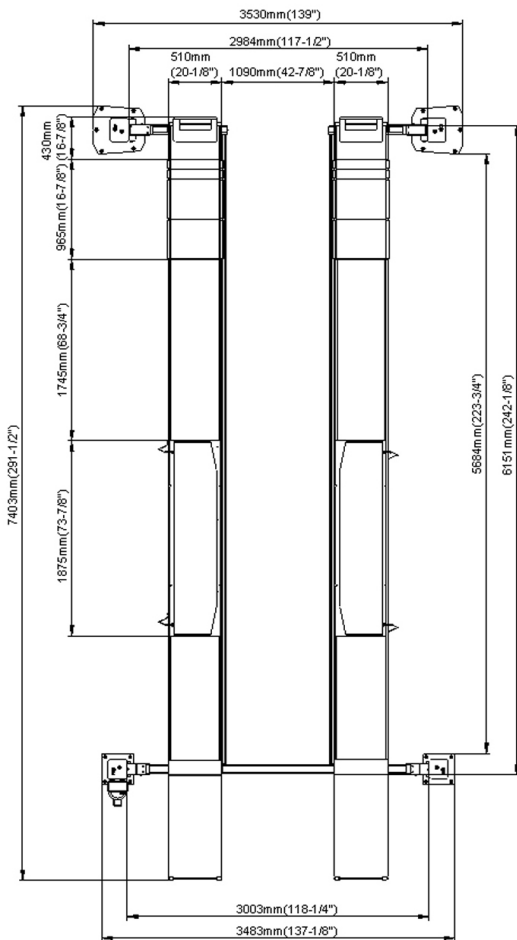
**Model
47314A**

Specifications:

- Lifting Capacity 14,000 lbs (6,300 kg)
- Lifting Height 8 - 72 1/8" (221 - 1850 mm)
- Overall Dimensions 237 7/8" (L) x 122 7/8" (W) x 92 7/8" (H)
(6040 x 3120 x 2360 mm)
- Track Width 20" (510 mm)
- Net Weight 2756 lbs (1250 kg)
- Shipping Weight 2976 lbs (1350 kg)



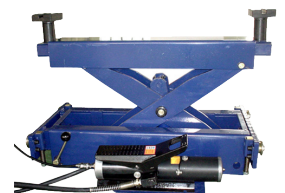
Stainless Steel Turntable (Optional)



Features:

- Cable Driven
- US Made Electric / Hydraulic Power System
- Single Point Pneumatic Safety Release System
- Heavy-duty "C" Channel Steel Construction
- Non-skid Diamond Plate Runways
- Front & Rear Wheel Stops For Safety
- Wide Runways To Accommodate Wide & Narrow Vehicles

Accessories



Rolling Jack



Rolling Oil Drain